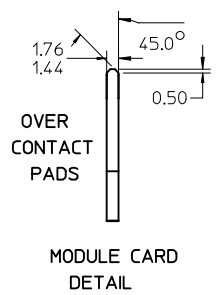
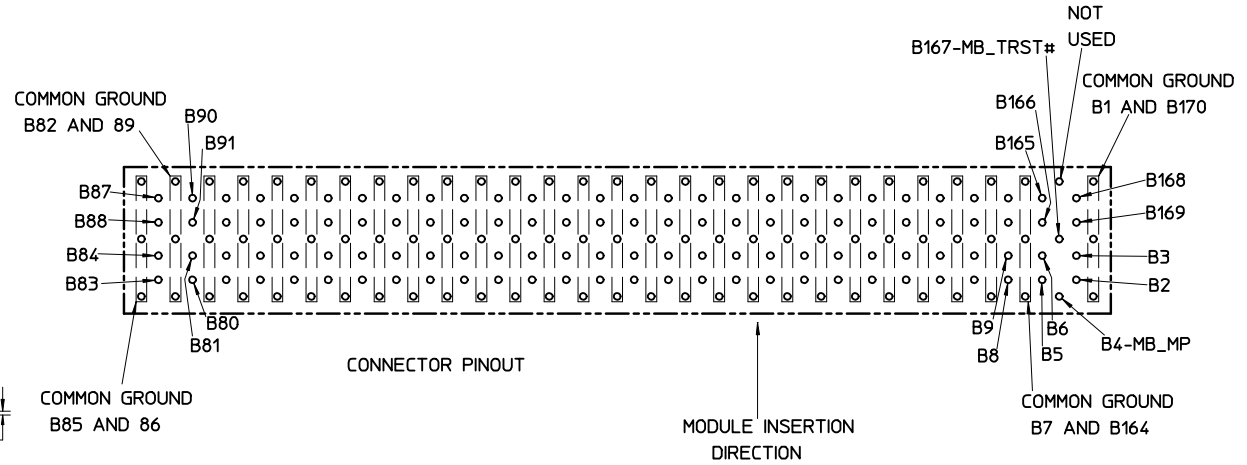
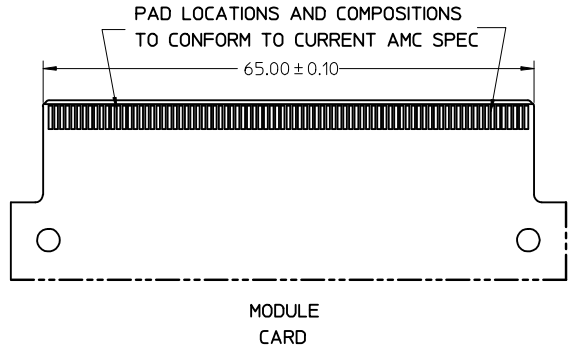
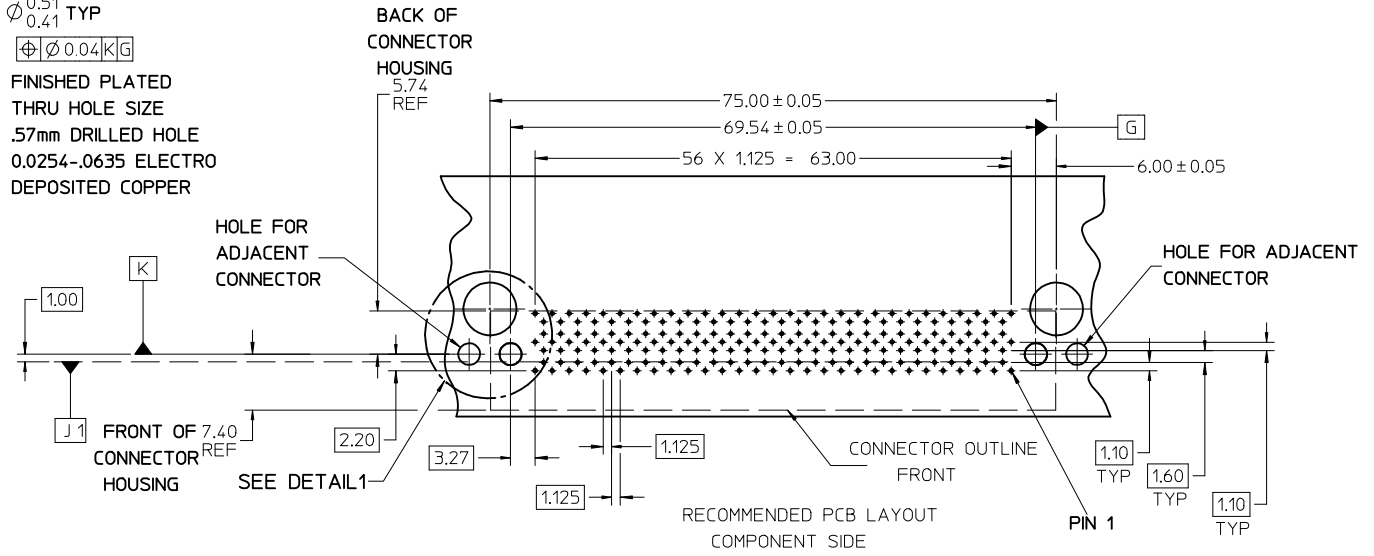
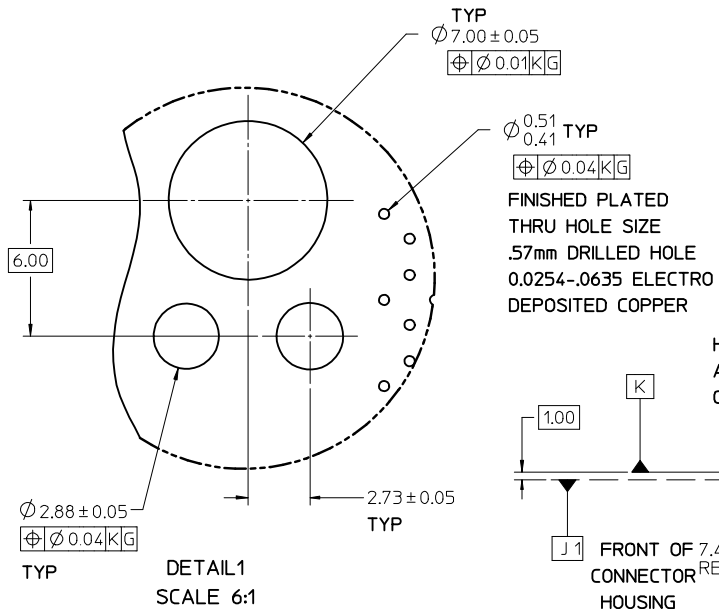


NOTES

- MATERIAL
CONNECTOR HOUSING: GLASS FILLED LCP, 94 V-0, COLOR:BLACK
OVERMOLDING ON TERMINALS: GLASS FILLED LCP, COLOR, BLACK.
TERMINALS: COPPER ALLOY, SPRING TEMPER
- TERMINAL FINISH:
CONTACT AREA: 0.75µm MIN. HARD GOLD
OVER 1.25µm MIN. NICKEL
COMPLIANT AREA:
75800-0001: 0.75-1.50µm TIN OVER
1.25µm MIN. NICKEL
75800-0002: 0.75-1.50µm 90/10
TIN LEAD OVER 0.75-1.25µm MIN. NICKEL
- REFER TO PS-75800-001 PRODUCT SPEC FOR ALL ELECTRICAL, MECHANICAL, AND ENVIRONMENTAL SPECIFICATIONS.
- REFER TO PK-75800-203 FOR ALL PACKAGING SPECIFICATIONS.
- REFER TO AS-75800-999 FOR BOARD APPLICATION INFORMATION.
- REFER TO AS-758000-002 FOR BOARD LAYOUT ROUTING RECOMMENDATIONS
- REFER TO AS-75800-003 FOR SI GUIDELINE FIXTURE DEFINITIONS.
- DATE CODE AND PART NUMBER TO BE LASER ETCHED IN APPROXIMATE LOCATION SHOWN OR APPLIED BY LABEL. INFO TO INCLUDE PART NUMBER, MANUFACTURING FACILITY AND DATE CODE IN THE FORMAT OF WEEK AND LAST TWO DIGITS OF THE YEAR, WWYY.

PART NUMBER	COMPLIANT TAIL PLATING
75800-0001	TIN
75800-0002	90/10 TIN LEAD

SOLID MODEL NUMBER EM-745800-001	ADDED HIPOT PUNCH MARK EC NO: UCP2009-1176 DRWN:HAVERY 2008/11/07 CHKD: 2008/11/11 APPR:MBANAKIS 2008/11/12	QUALITY SYMBOLS ▽=0 ▽=0	GENERAL TOLERANCES (UNLESS SPECIFIED)		DIMENSION STYLE MM ONLY		SCALE 2:1	DESIGN UNITS METRIC	THIRD ANGLE PROJECTION			
					DRAWN BY _____ DATE _____		TITLE ADVANCED MC B+ STYLE CONNECTOR SALES DRAWING					
					CHECKED BY _____ DATE _____		APPROVED BY _____ DATE _____		MATERIAL NO. SEE CHART		SHEET NO. 1 OF 2	
					APPROVED BY _____ DATE _____		MATERIAL NO. SEE CHART		DOCUMENT NO. SD-75800-001		THIS DRAWING CONTAINS INFORMATION THAT IS PROPRIETARY TO MOLEX INCORPORATED AND SHOULD NOT BE USED WITHOUT WRITTEN PERMISSION	



SEE PAGE 1 EC NO: UCP2009-1176 DRW: HAVERY CHKD: 2008/11/11 APPR: MBANKALIS 2008/11/12	QUALITY SYMBOLS ▽=0 ▽=0	GENERAL TOLERANCES (UNLESS SPECIFIED) <table border="1"> <tr> <th></th> <th>mm</th> <th>INCH</th> </tr> <tr> <td>4 PLACES ±</td> <td>---</td> <td>±</td> </tr> <tr> <td>3 PLACES ±</td> <td>---</td> <td>±.005</td> </tr> <tr> <td>2 PLACES ±</td> <td>0.13</td> <td>±.010</td> </tr> <tr> <td>1 PLACE ±</td> <td>0.25</td> <td>±</td> </tr> </table>		mm	INCH	4 PLACES ±	---	±	3 PLACES ±	---	±.005	2 PLACES ±	0.13	±.010	1 PLACE ±	0.25	±	DIMENSION STYLE MM ONLY DRAWN BY: _____ DATE: _____ CHECKED BY: _____ DATE: _____ APPROVED BY: _____ DATE: _____	SCALE 2:1 DESIGN UNITS METRIC THIRD ANGLE PROJECTION	ADVANCED MC B+ STYLE CONNECTOR SALES DRAWING
		mm	INCH																	
	4 PLACES ±	---	±																	
	3 PLACES ±	---	±.005																	
2 PLACES ±	0.13	±.010																		
1 PLACE ±	0.25	±																		
DRAFT WHERE APPLICABLE MUST REMAIN WITHIN DIMENSIONS	MATERIAL NO. SEE CHART	MOLEX INCORPORATED DOCUMENT NO. SD-75800-001	SHEET NO. 2 OF 2																	
THIS DRAWING CONTAINS INFORMATION THAT IS PROPRIETARY TO MOLEX INCORPORATED AND SHOULD NOT BE USED WITHOUT WRITTEN PERMISSION																				